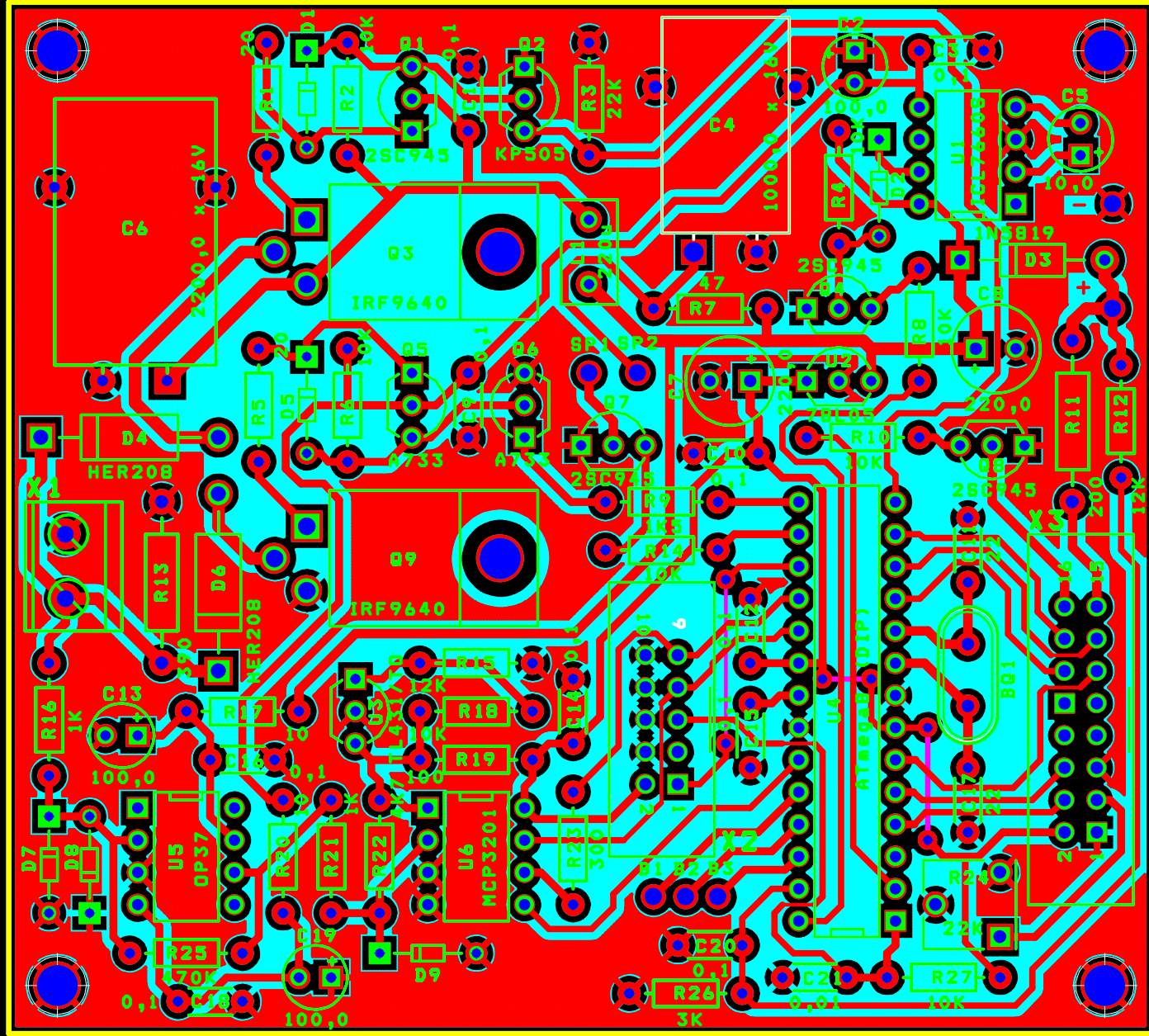


Title			Chance		
Size	Document Number	(c) Andy_F http://fandy.front.ru		Rev	1
B		Date:	Saturday, July 18, 2009	Sheet	1 of 1

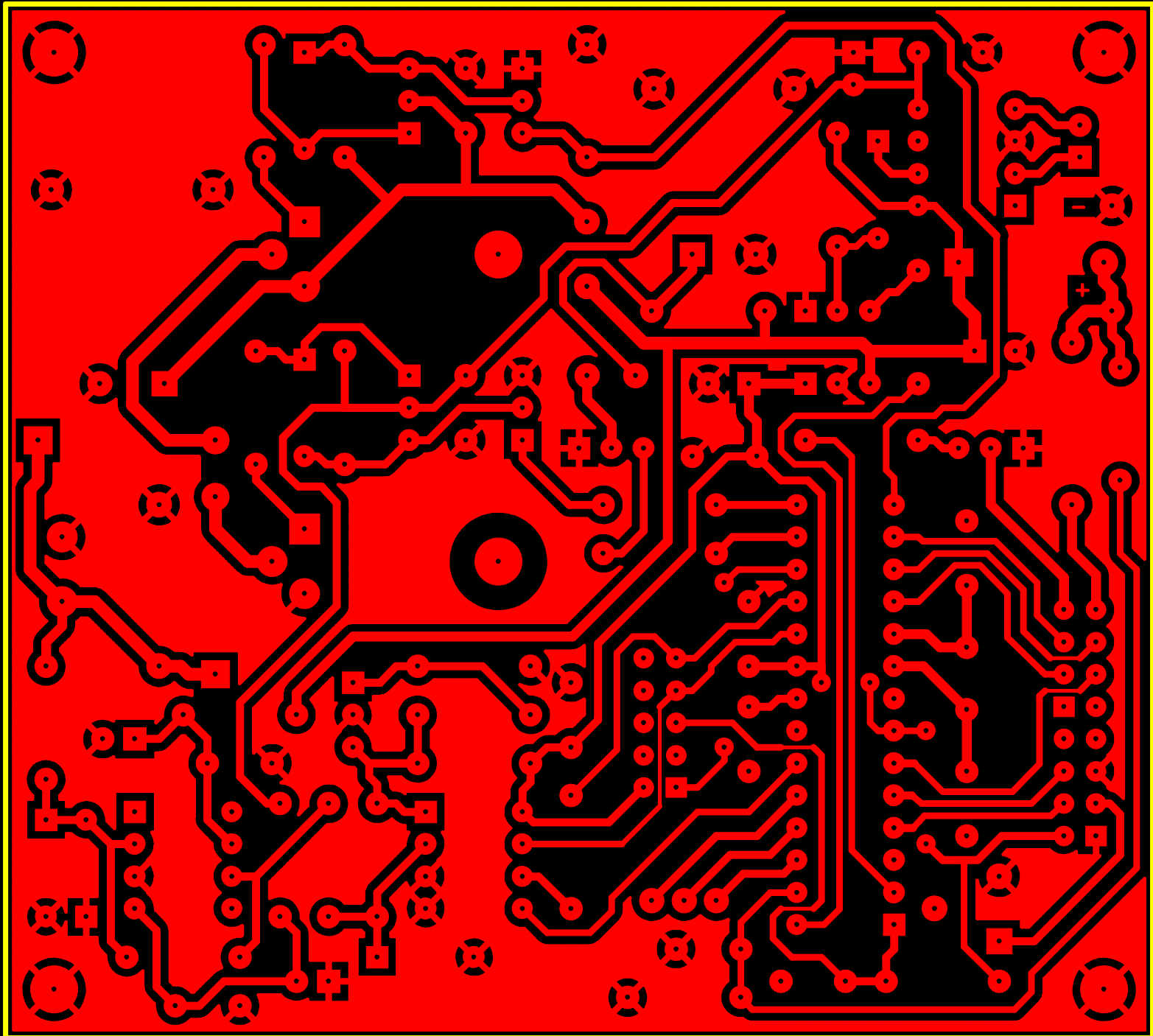
Bill of Material

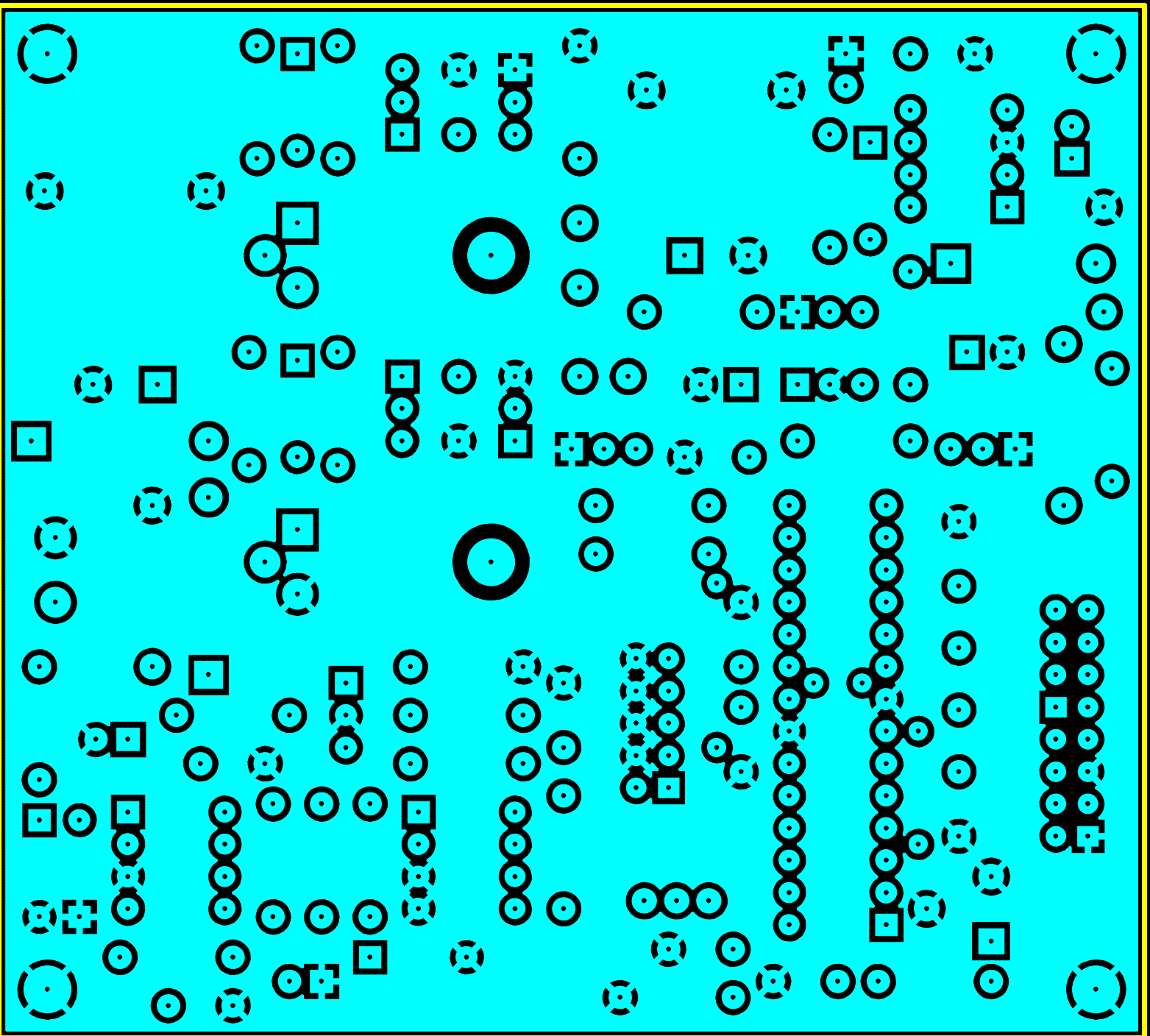
Part	Quantity	Reference
11,0592 MHz	1	BQ1
22 pF	2	C11, C17
0,01 uF	1	C21
0,1 uF	10	C1,C3,C9,C10,C12,C14,C15, C16,C18,C20
10,0 uF x 16V	1	C5
100,0 uF x 16V	3	C2,C13,C19
220,0 uF x 16V	2	C7,C8
1000,0 uF x 16V	1	C4
2200,0 uF x 16V	1	C6
1N4148	6	D1,D2,D5,D7,D8,D9
1N5819	1	D3
HER208	2	D4,D6
220 uH	1	L1
2SC945	4	Q1,Q4,Q7,Q8
KП505	1	Q2
IRF9640	2	Q3,Q9
A733	2	Q5,Q6
10 Ohm	2	R17,R20
20 Ohm	2	R1,R5
47 Ohm	1	R7
100 Ohm	1	R19
200 Ohm	1	R11
300 Ohm	1	R23
390 Ohm x 1 W	1	R13
1 K	2	R16,R21
1,5 K	1	R9
3 K	1	R26
4,7K	1	R22
10 K	8	R2,R4,R6,R8,R10,R14,R18,R27
12 K	2	R12,R15
22 K	2	R3,R24
470 K	1	R25
ICL7660S	1	U1
78L05	1	U2
TL431	1	U3
ATmega8	1	U4
OP37	1	U5
MCP3201	1	U6
301-021-12	1	X1
BH-10G	1	X2
BH-16G	1	X3

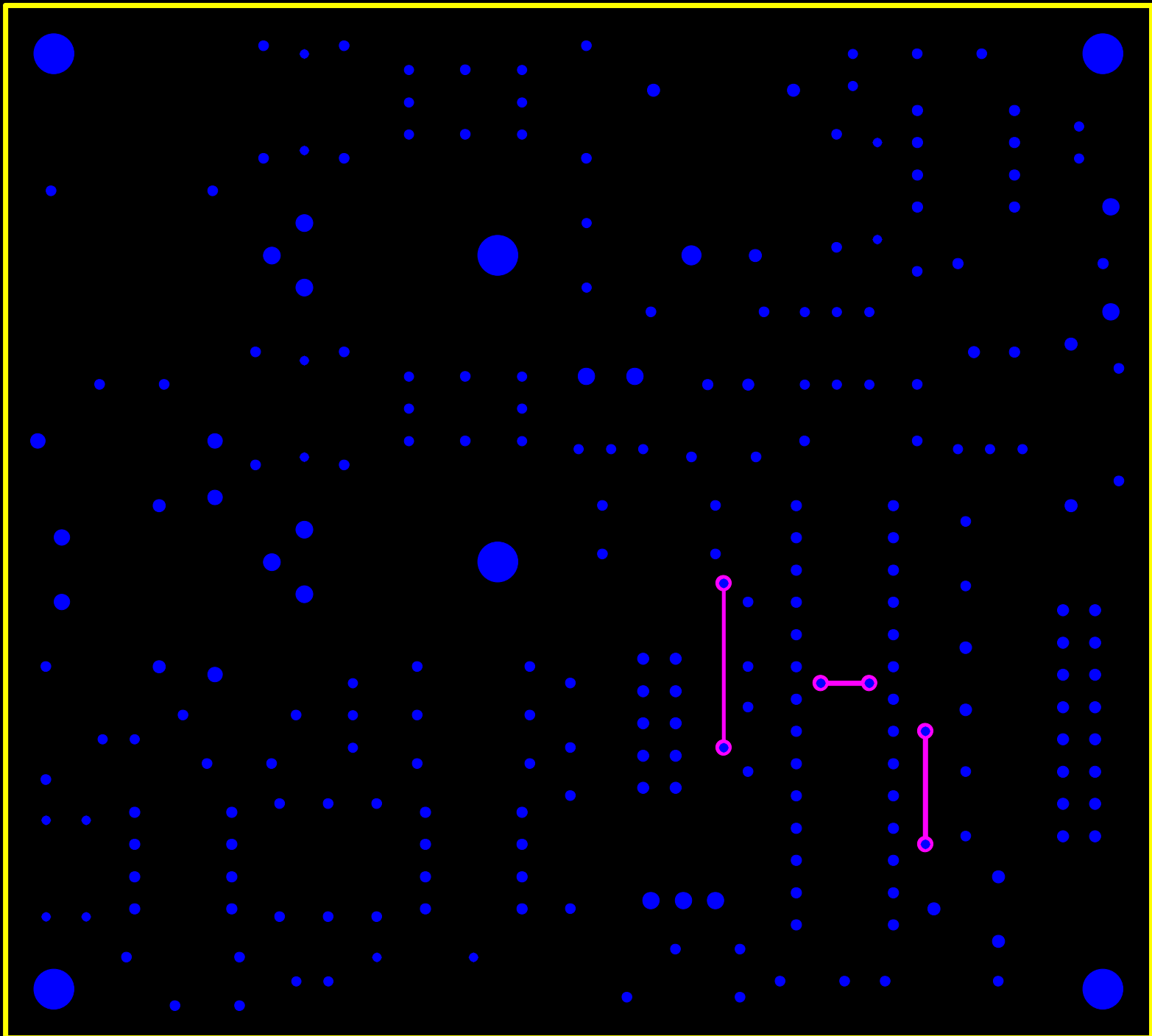
81.3mm



90.2mm

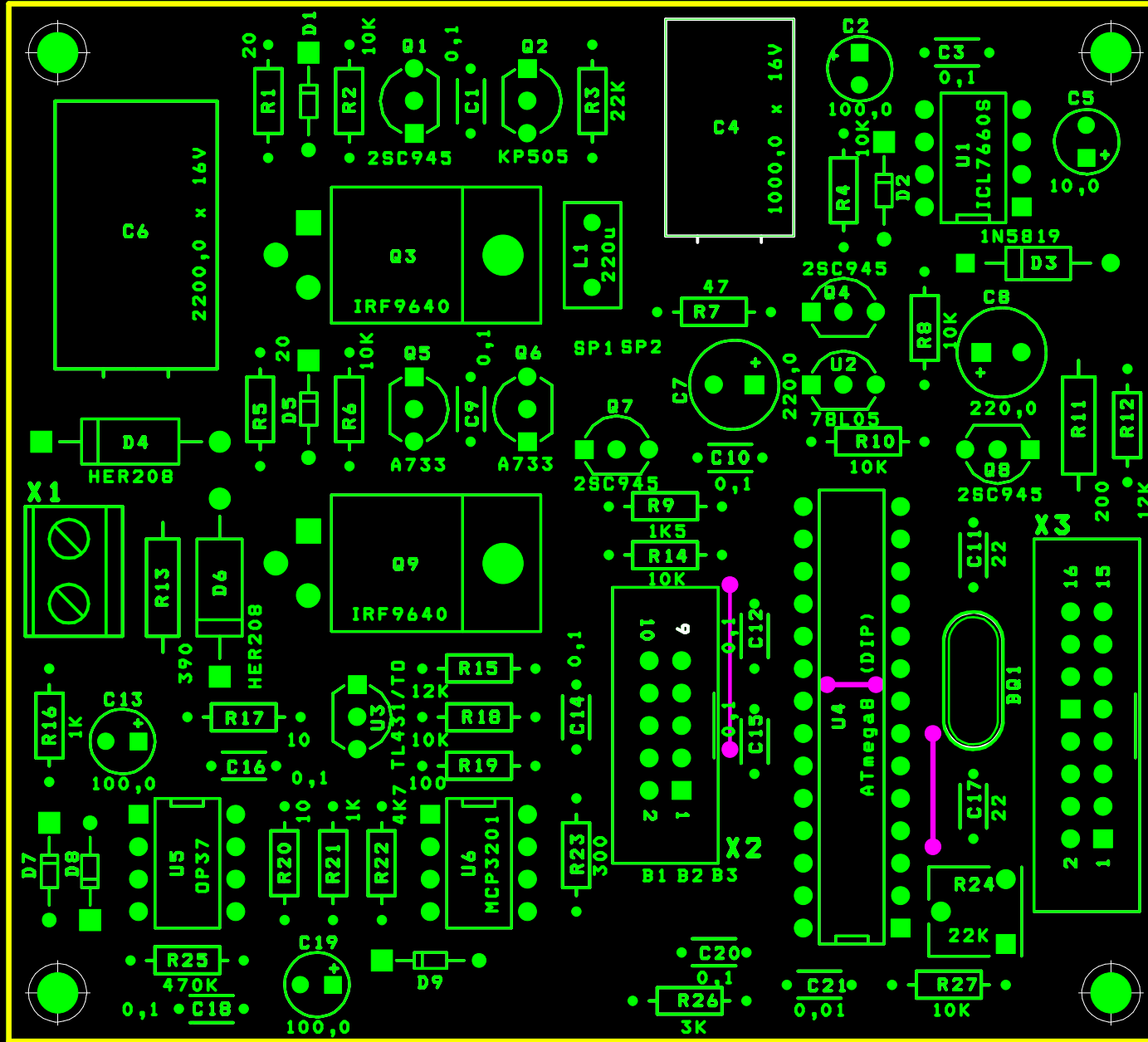


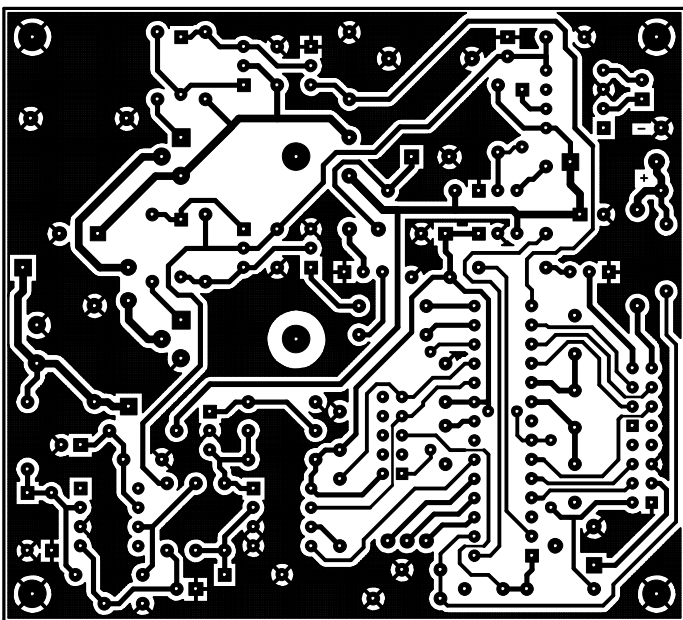


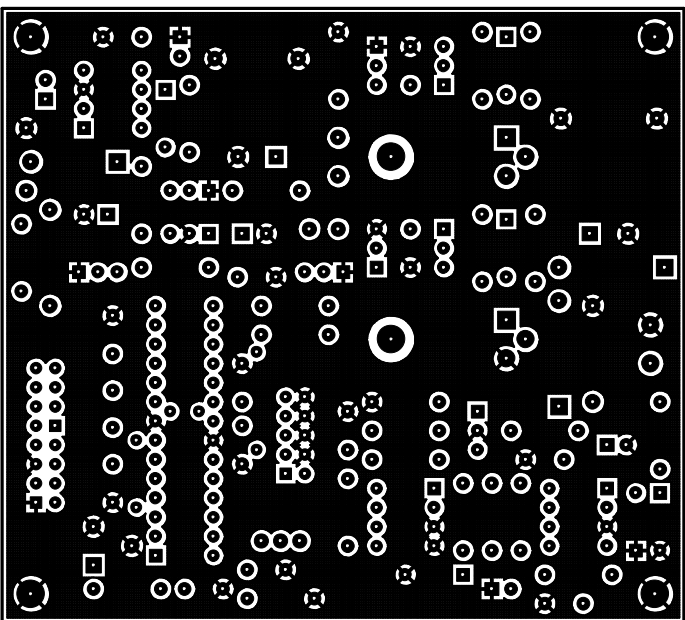


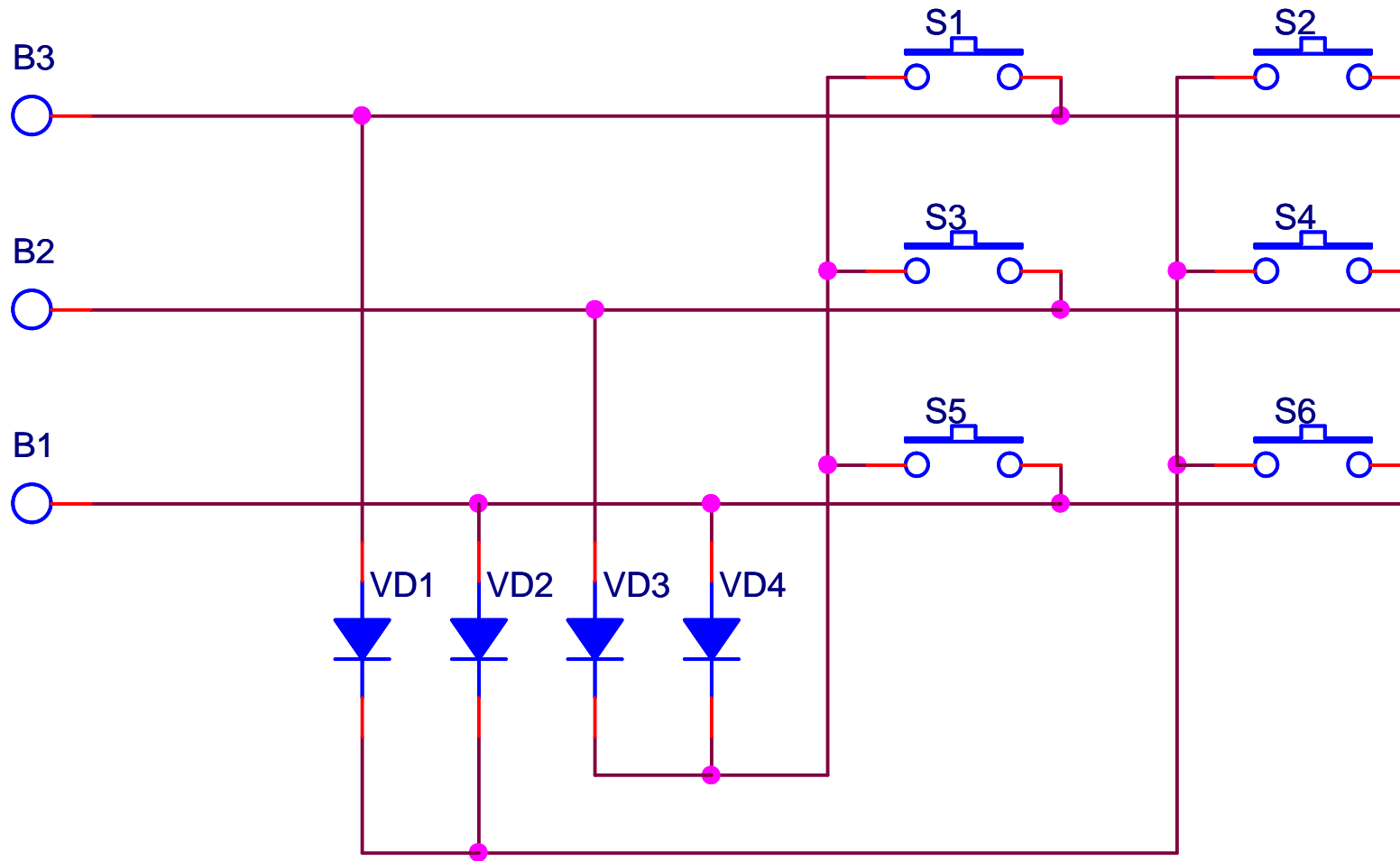
81.3mm

90.2mm



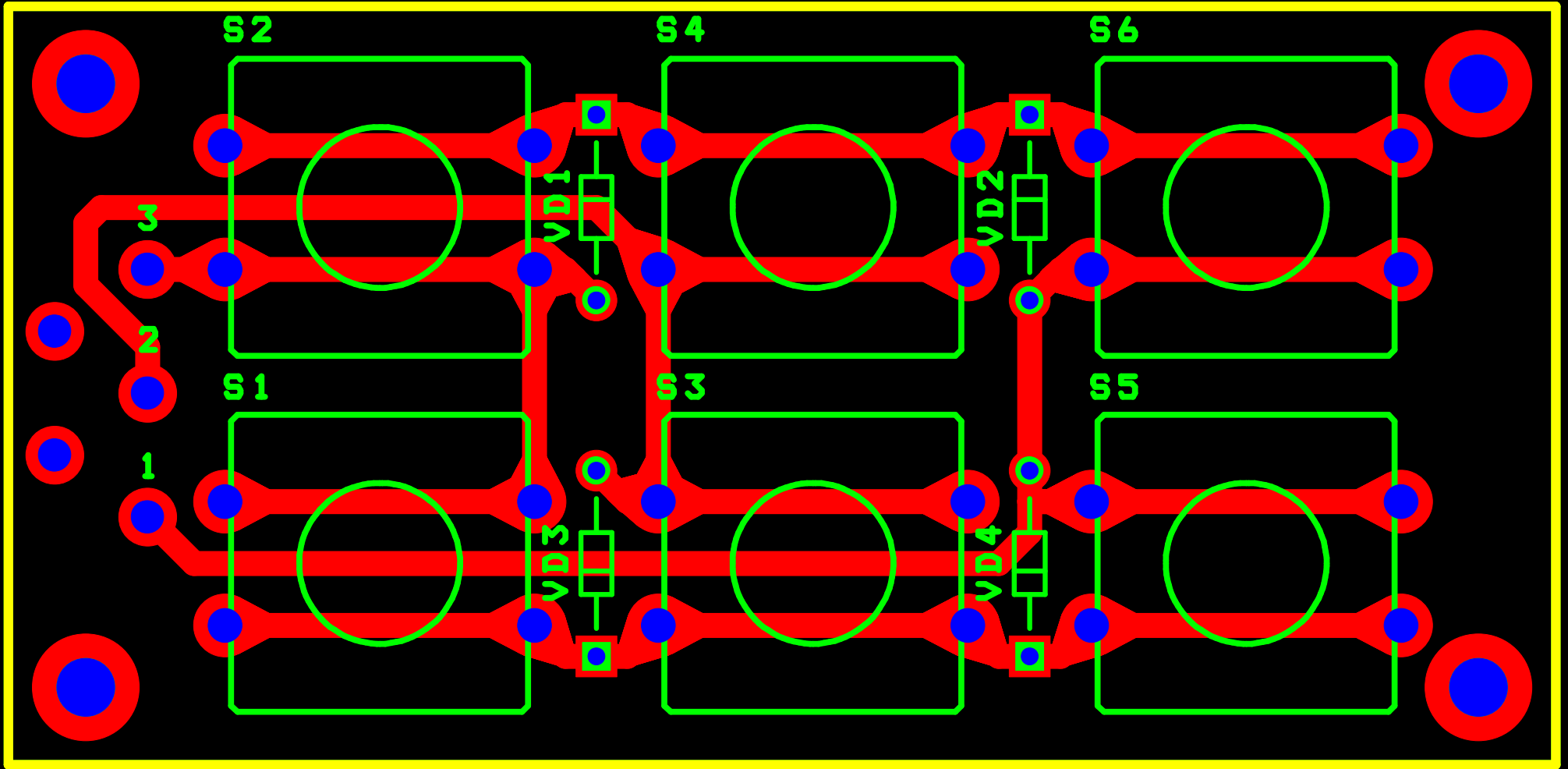


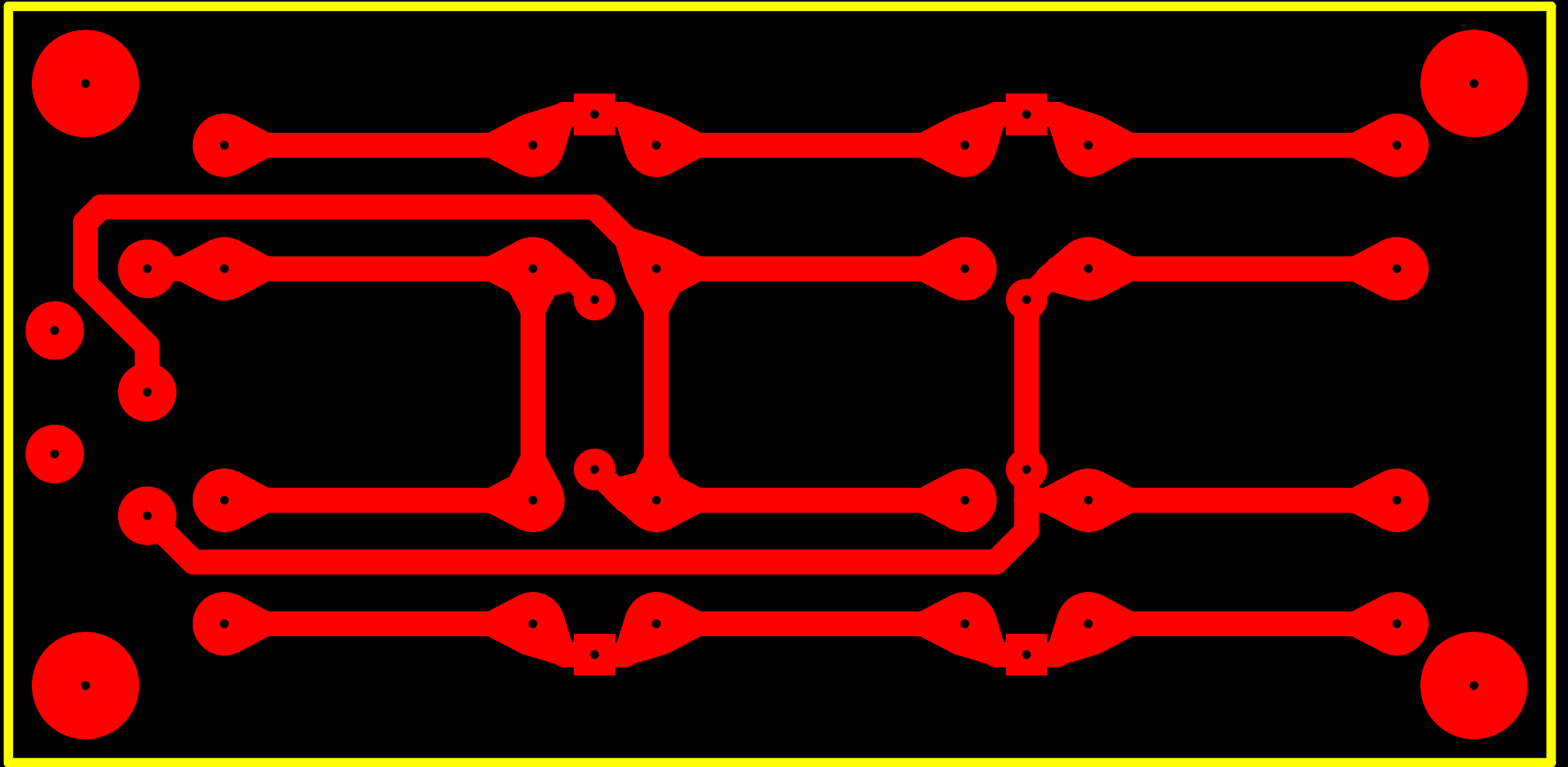


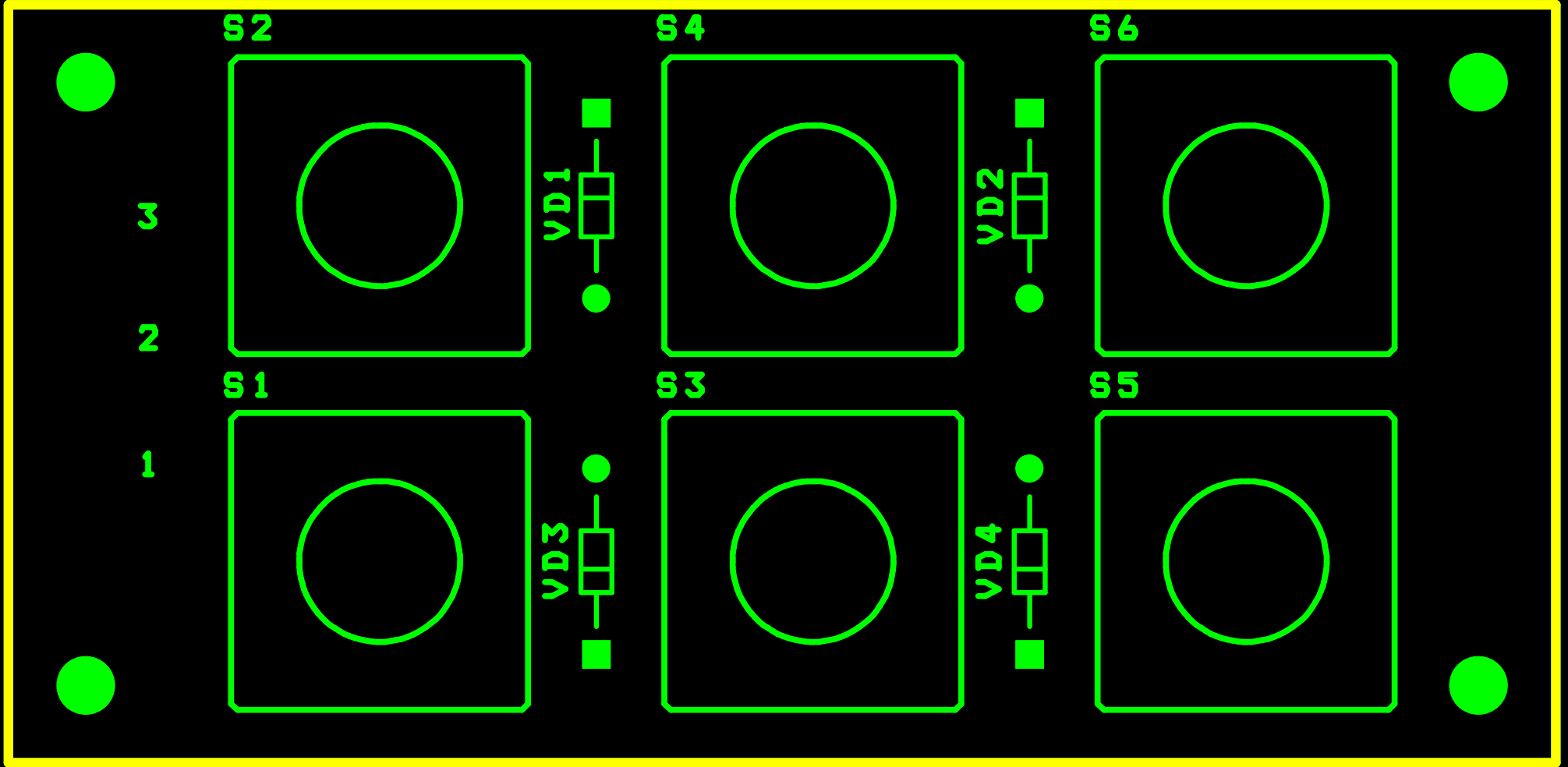


Bill of Material

Part	Quantity	Reference
1N4148	4	VD1, VD2, VD3, VD4
SWT-5	6	S1,S2,S3,S4,S5,S6







3

2

1

S2

S4

S6

S1

S3

S5

VD1

VD2

VD3

VD4

